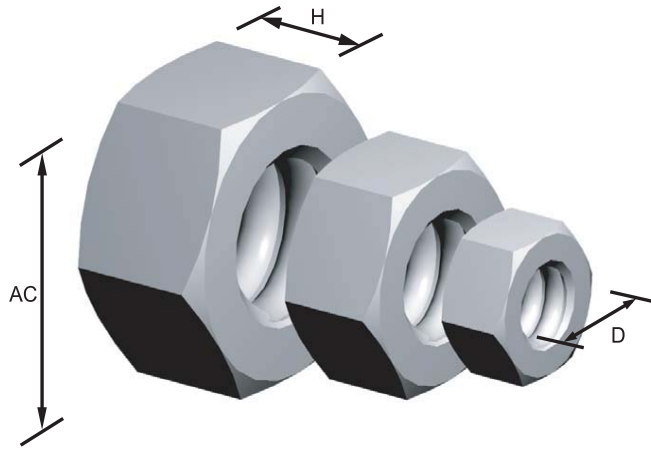


# Concrete Accessories

## Coil Nuts



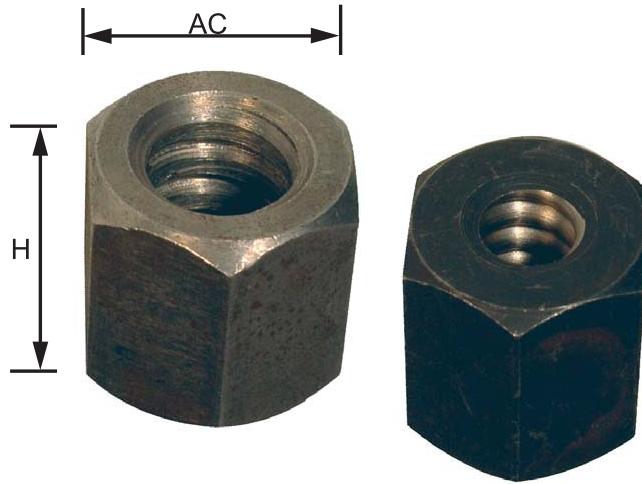
OCM Part No.	D Size	H Height	AC Across Flats	Carton Qty	Weight per 100pcs lbs	Safe Working Load lbs
50ACCN0P	1/2"	0.484	0.863	1,000	6.2	6,000
50ACCN0P-G	1/2"	0.484	0.863	1,000	6.2	6,000
62SFCN	5/8" Finished	0.547	0.930	500	11.4	8,000
75SFCN	3/4" Finished	0.641	1.107	500	11.4	9,000
75SCCN0P	3/4" Heavy	0.734	1.231	250	17.8	9,000
87SCCN0P	7/8"	0.859	1.416	250	27.6	16,000
100SCCN0P	1"	0.984	1.600	150	15.0	18,000
125SCCN0P	1-1/4"	1.219	2.123	70	75.2	27,000
150CCCN	1-1/2"	1.469	2.682	40	122.6	40,000

SWL provides a safety factor of approximately 2 to 1.

Call us 718.361.2300 or Fax 718.937.5671  
 or email us at: [sales@cmftool.com](mailto:sales@cmftool.com)  
[www.cmftool.com](http://www.cmftool.com)

# Concrete Accessories

## Heavy Duty Coil Nuts



CONSTRUCTION PRODUCTS

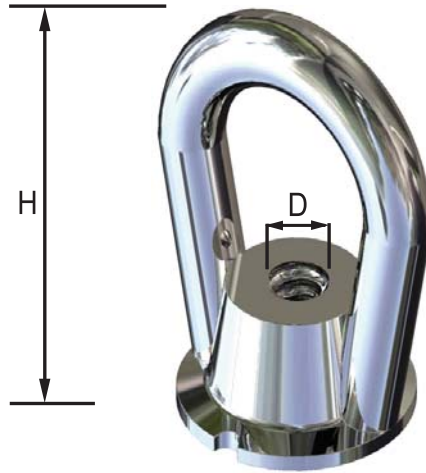
OCM Part No.	D Size	H Height	AC Across Flats	Carton Qty	Weight per 100pcs lbs	Safe Working Load lbs
50ACCN0PT	1/2"	1-1/8"	1-5/16"	1,000	6.2	9,000
75SCCN0PT	3/4"	1-1/8"	1-5/16"	500	11.4	18,000
100SSCCN0PT	1"	2"	1-3/8"	500	11.4	37,500

SWL provides a safety factor of approximately 2 to 1.

Call us 718.361.2300 or Fax 718.937.5671  
or email us at: [sales@cmftool.com](mailto:sales@cmftool.com)  
[www.cmftool.com](http://www.cmftool.com)

# Concrete Accessories

## Coil Eye Nut



CONSTRUCTION PRODUCTS

OCM Part No.	D Size	H Height	Weight per pcs lbs	Safe Working Load lbs
50CEN	1/2"	3-1/4"	0.7	2,700
75CEN	3/4"	3-1/2"	1.2	3,600
100CEN	1"	5"	2.9	7,200
125CEN	1-1/4"	6-1/4"	6.0	10,800

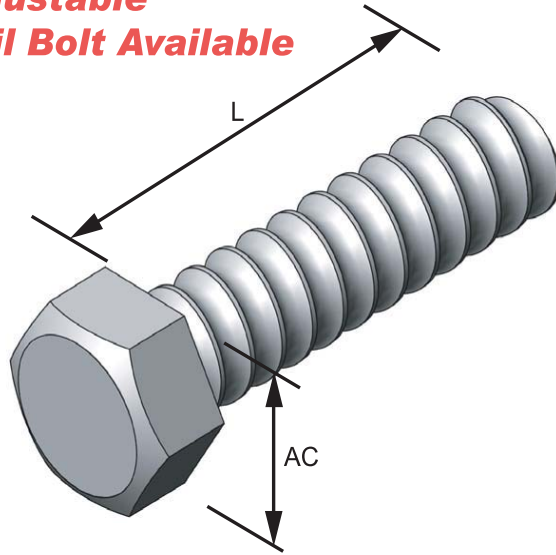
SWL provides a safety factor of approximately 2 to 1.

Call us 718.361.2300 or Fax 718.937.5671  
or email us at: [sales@cmftool.com](mailto:sales@cmftool.com)  
[www.cmftool.com](http://www.cmftool.com)

# Concrete Accessories

## Coil Bolts

**Adjustable  
Coil Bolt Available**



CONSTRUCTION PRODUCTS

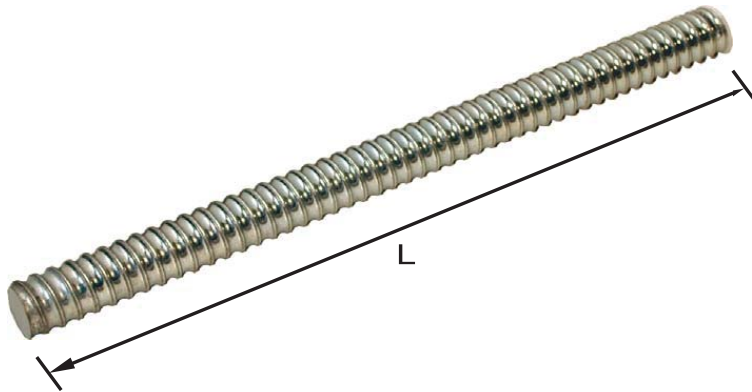
OCM Part No.	D Size	L Length	AC Across Flats	Carton Qty	Weight per 100pcs lbs	Safe Working Load lbs
50A150CBH0P	1/2"	1-1/2"	3/4"	500	10.6	4,125
50A200CBH0P		2"		500	12.8	
50A250CBH0P		2-1/2"		400	15.1	
50A300CBH0P		3"		300	17.1	
50A350CBH0P		3-1/2"		250	19.4	
50A400CBH0P		4"		250	21.6	
50A500CBH0P		5"		200	26.3	
50A600CBH0P		6"		150	30.7	
75S200CBH0P	3/4"	2"	1-1/8"	150	32.8	9,000
75S250CBH0P		2-1/2"		150	39.4	
75S300CBH0P		3"		100	42.7	
75S350CBH0P		3-1/2"		100	47.8	
75S400CBH0P		4"		100	52.5	
75S500CBH0P		5"		75	62.5	
75S600CBH0P		6"		75	72.4	
62S200CBH0P	5/8"	2"	1"	100	21.8	7,500
62S400CBH0P		4"		100	35.4	

SWL provides a safety factor of approximately 2 to 1.

Call us 718.361.2300 or Fax 718.937.5671  
or email us at: [sales@cmftool.com](mailto:sales@cmftool.com)  
[www.cmftool.com](http://www.cmftool.com)

# Concrete Accessories

## Coil Rod



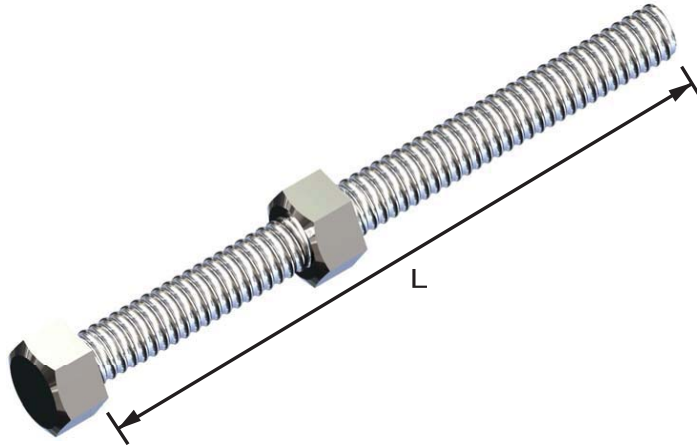
OCMPart No.	D size	L length	Weight per pcs lbs	Safe Working Load
50ACTRP144	1/2"	12FT	6.4	9,000
75ACTRP144	3/4"		13.4	18,000
87ACTRP144	7/8"		20.04	31,000
100ACTRP144	1"		24.48	38,000
125ACTRP144	1-1/4"		41.76	56,000
150ACTRP144	1-1/2"		72.12	68,000
50ACTRP72	1/2"	6FT	53	9,000
75ACTRP72	3/4"		118	18,000
100ACTRP72	1"		210	38,000
125ACTRP72	1-1/4"		340	56,000

- SWL provides a safety factor of approximately 2 to 1.
- Special Order cut lengths are available by request

Call us 718.361.2300 or Fax 718.937.5671  
 or email us at: [sales@cmftool.com](mailto:sales@cmftool.com)  
[www.cmftool.com](http://www.cmftool.com)

# Concrete Accessories

## Long Coil Bolts



CONSTRUCTION PRODUCTS

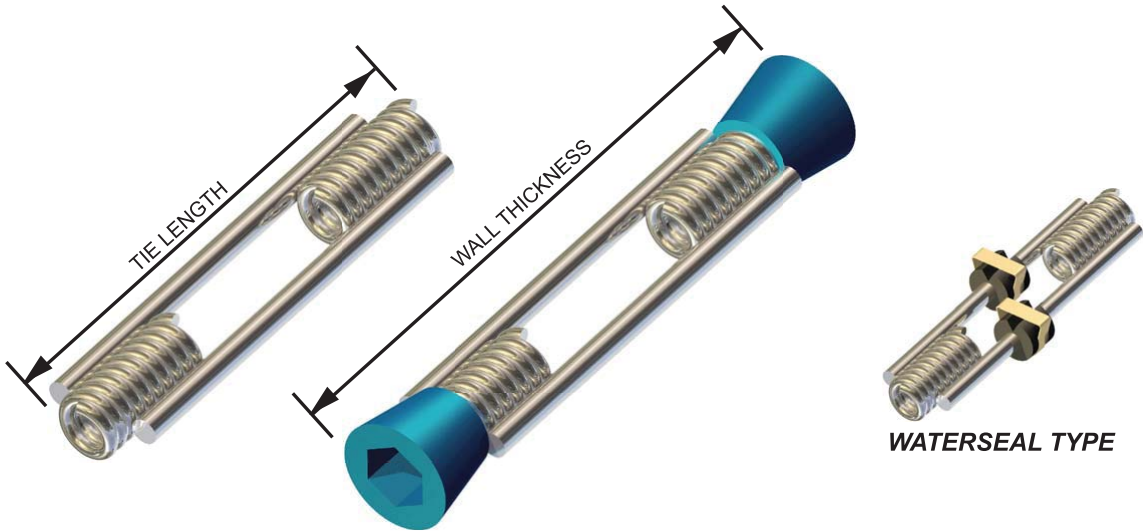
OCM Part No.	D Size	L Length	AC Across Flats	Safe Working Load lbs
50A1200CBH0P	1/2"	12"	3/4"	9,000
50A1600CBH0P		16"		
50A1800CBH0P		18"		
50A2400CBH0P		24"		
50A3000CBH0P		30"		

SWL provides a safety factor of approximately 2 to 1.

Call us 718.361.2300 or Fax 718.937.5671  
or email us at: [sales@cmftool.com](mailto:sales@cmftool.com)  
[www.cmftool.com](http://www.cmftool.com)

# Concrete Accessories

## 2 Strut Conefast Coil Tie 1/2"



WATERSEAL TYPE

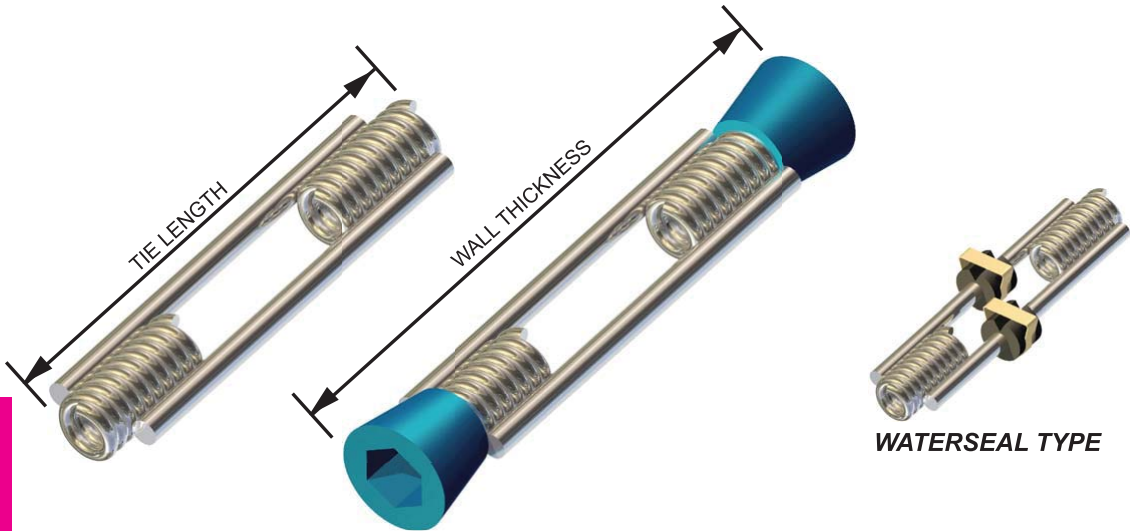
OCM Part No.	Wall Thickness	Box Qty	Weight / pcs lbs	Safe Working Load lbs
CT5004SP	4	100	0.320	4,500 lbs.
CT5006SP	6	100	0.320	4,500 lbs.
CT5008SP	8	100	0.320	4,500 lbs.
CT5010SP	10	100	0.360	4,500 lbs.
CT5012SP	12	100	0.420	4,500 lbs.
CT5014SP	14	100	0.466	4,500 lbs.
CT5016SP	16	100	0.512	4,500 lbs.
CT5018SP	18	100	0.558	4,500 lbs.
CT5020SP	20	100	0.604	4,500 lbs.
CT5022SP	22	100	0.650	4,500 lbs.
CT5024SP	24	100	0.696	4,500 lbs.
CT5026SP	26	100	0.742	4,500 lbs.
CT5028SP	28	100	0.788	4,500 lbs.
CT5030SP	30	100	0.834	4,500 lbs.
CT5032SP	32	100	0.880	4,500 lbs.
CT5034SP	34	100	0.926	4,500 lbs.
CT5036SP	36	100	1.000	4,500 lbs.
CT5042SP	42	100	1.100	4,500 lbs.

CONSTRUCTION PRODUCTS

Call us 718.361.2300 or Fax 718.937.5671  
 or email us at: [sales@cmftool.com](mailto:sales@cmftool.com)  
[www.cmftool.com](http://www.cmftool.com)

# Concrete Accessories

## 2 Strut Conefast Coil Tie 3/4"



CONSTRUCTION PRODUCTS

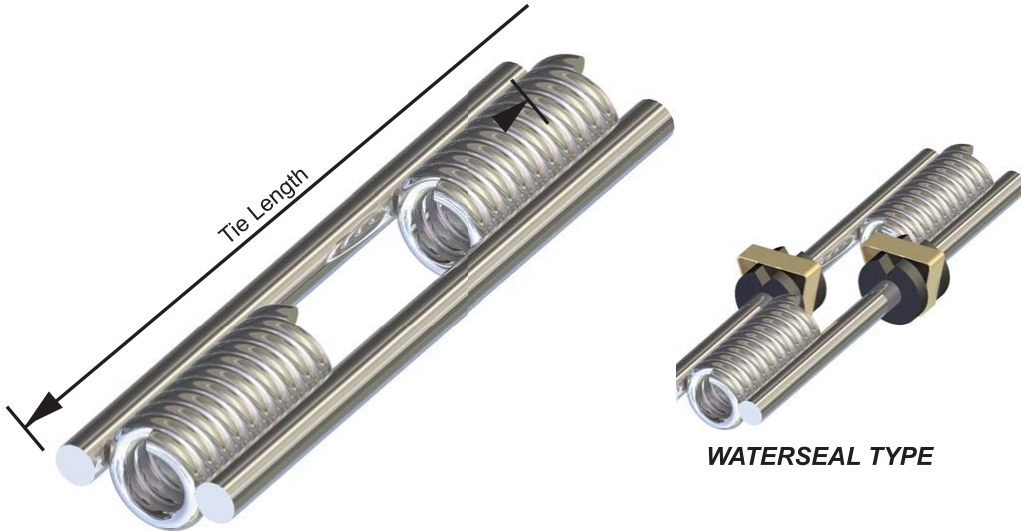
OCM Part No.	Wall Thickness	Box Qty	Weight / pcs lbs	Safe Working Load lbs
CT7506SP	6	100	0.750	6,750 lbs.
CT7508SP	8	100	0.750	6,750 lbs.
CT7510SP	10	100	0.900	6,750 lbs.
CT7512SP	12	100	0.980	6,750 lbs.
CT7514SP	14	100	0.980	6,750 lbs.
CT7516SP	16	100	1.140	6,750 lbs.
CT7518SP	18	100	1.140	6,750 lbs.
CT7520SP	20	100	1.320	6,750 lbs.
CT7522SP	22	100	1.390	6,750 lbs.
CT7524SP	24	100	1.480	6,750 lbs.

Call us 718.361.2300 or Fax 718.937.5671  
or email us at: [sales@cmftool.com](mailto:sales@cmftool.com)  
[www.cmftool.com](http://www.cmftool.com)



# Concrete Accessories

## Full Strut Coil Tie 1/2"



CONSTRUCTION PRODUCTS

OCM Part No.	Tie Length	Box Qty	Weight / pcs lbs	Safe Working Load lbs
CT5004SP-F	4	100	0.320	4,500 lbs.
CT5006SP-F	6	100	0.320	4,500 lbs.
CT5008SP-F	8	100	0.320	4,500 lbs.
CT50010SP-F	10	100	0.360	4,500 lbs.
CT50012SP-F	12	100	0.420	4,500 lbs.
CT50014SP-F	14	100	0.466	4,500 lbs.
CT50016SP-F	16	100	0.512	4,500 lbs.
CT50018SP-F	18	100	0.558	4,500 lbs.
CT50020SP-F	20	100	0.604	4,500 lbs.
CT50024SP-F	24	100	0.696	4,500 lbs.
CT50030SP-F	30	100	0.834	4,500 lbs.
CT50036SP-F	36	100	1.000	4,500 lbs.
CT50042SP-F	42	100	1.100	4,500 lbs.

\*\*1/2" Heavy Duty (6,750 SWL) available upon request - 4 Strut Available

\*\*Additional lengths available upon request

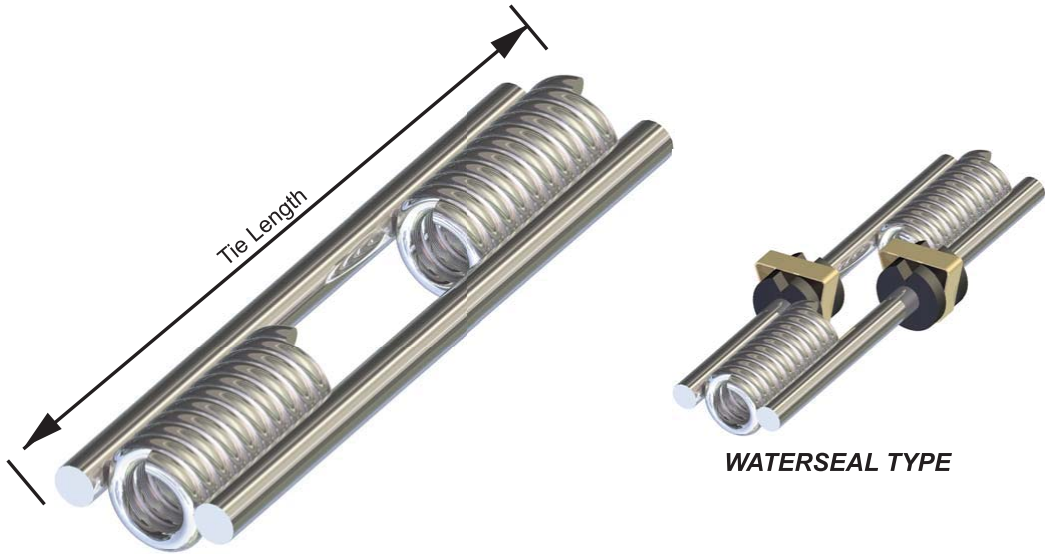
\*\*Waterseal available upon request

-SWL provides a safety factor of approximately 2 to 1.

Call us 718.361.2300 or Fax 718.937.5671  
 or email us at: [sales@cmftool.com](mailto:sales@cmftool.com)  
[www.cmftool.com](http://www.cmftool.com)

# Concrete Accessories

## Full Strut Coil Tie 3/4"



CONSTRUCTION PRODUCTS

OCM Part No.	Tie Length	Box Qty	Weight / pcs lbs	Safe Working Load lbs
CT7506SP-F	6	100	0.750	6,750 lbs.
CT7508SP-F	8	100	0.750	6,750 lbs.
CT7510SP-F	10	100	0.980	6,750 lbs.
CT7512SP-F	12	100	0.980	6,750 lbs.
CT7514SP-F	14	100	1.070	6,750 lbs.
CT7516SP-F	16	100	1.140	6,750 lbs.
CT7518SP-F	18	100	1.230	6,750 lbs.
CT7520SP-F	20	100	1.320	6,750 lbs.
CT7524SP-F	24	100	1.480	6,750 lbs.

\*\*1/2" Heavy Duty (6,750 SWL) available upon request - 4 Strut Available

\*\*Additional lengths available upon request

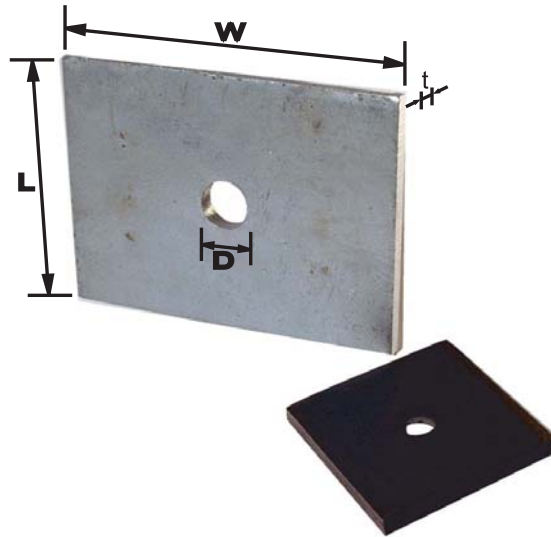
\*\*Waterseal available upon request

-SWL provides a safety factor of approximately 2 to 1.

Call us 718.361.2300 or Fax 718.937.5671  
 or email us at: [sales@cmftool.com](mailto:sales@cmftool.com)  
[www.cmftool.com](http://www.cmftool.com)

# Concrete Accessories

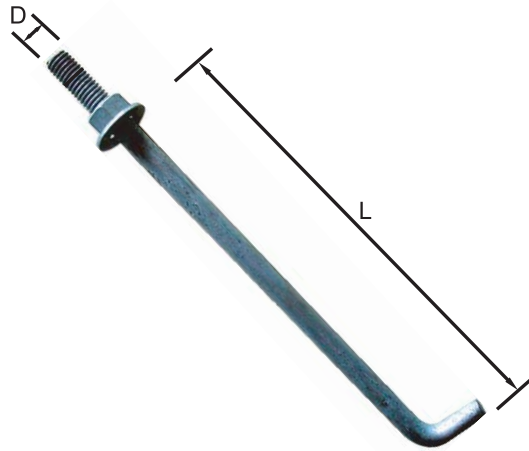
## Flat Washer



OCM Part No.	D Size	L x W x t	Safe Working Load lbs
50RC3475FWAP	1/2"	3"x4"x1/4"	4,500
75RC4575FWAP	3/4"	4"x5"x1/4"	6,750
75RC4538FWAP	3/4"	4"x5"x3/8"	9,000
100RC5575FWAP	1"	5"x5"x7/16"	18,000
125RC5575FWAP	1-1/4"	5"x5"x7/16"	27,000

# Concrete Accessories

## Anchor Bolt



CONSTRUCTION PRODUCTS

OCM Part No.	Size D	Plating	Length L	Weight per pcs lbs
AB508P	1/2"	Plain	8"	0.46
AB510P			10"	0.54
AB5012P			12"	0.63
AB506HDG	1/2"	Hot Dip Galv.	6"	0.38
AB508HDG			8"	0.46
AB5010HDG			10"	0.54
AB5012HDG			12"	0.63
AB5014HDG			14"	0.68
AB5016HDG			16"	0.74
AB5018HDG			18"	0.86
AB6208P	5/8"	Plain	8"	0.72
AB6210P			10"	0.84
AB6212P			12"	1.20
AB6208HDG	5/8"	Hot Dip Galv.	8"	0.74
AB6210HDG			10"	0.86
AB6212HDG			12"	1.22
AB6218HDG			18"	1.42
AB7518P	3/4"	Plain	18"	2.20
AB7512HDG	3/4"	Hot Dip Galv.	12"	1.62
AB7516HDG			16"	2.40
AB7524HDG			24"	2.84

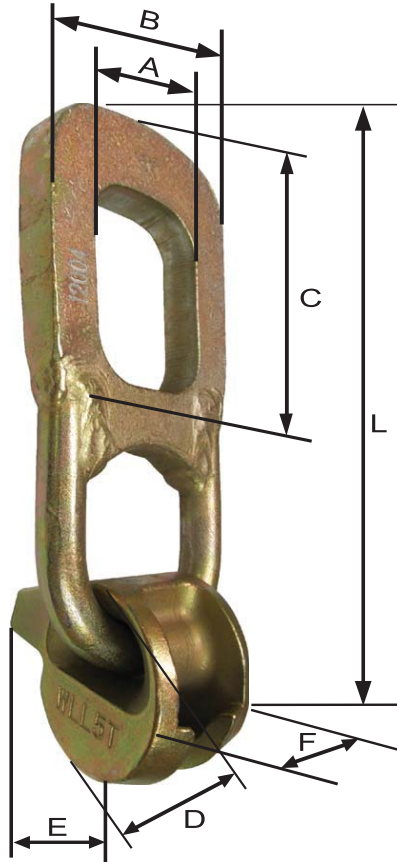
Note ;

- Plain or HDG per ASTM A307
- Rolled Thread

Call us 718.361.2300 or Fax 718.937.5671  
 or email us at: [sales@cmftool.com](mailto:sales@cmftool.com)  
[www.cmftool.com](http://www.cmftool.com)

# Concrete Accessories

## Lifting Eye



CONSTRUCTION PRODUCTS

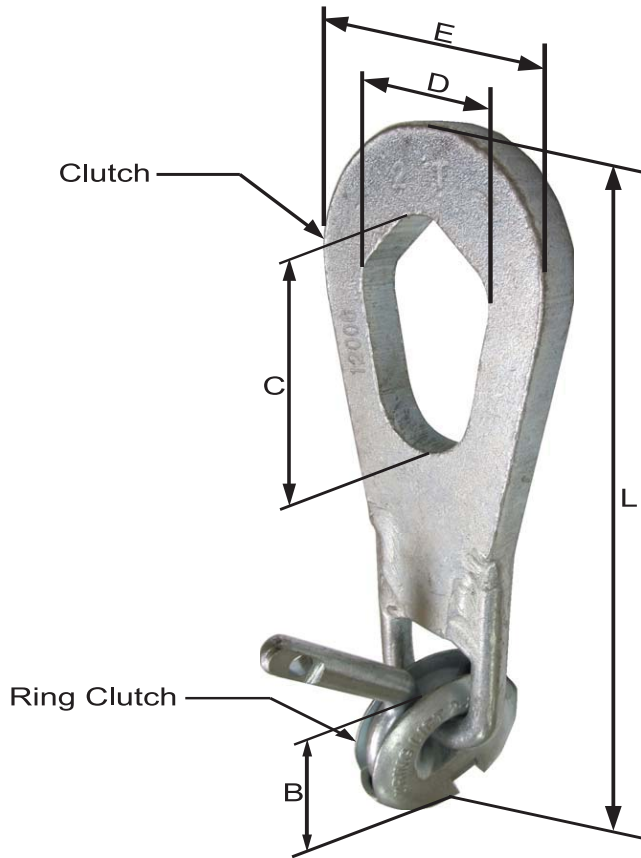
OCM Part No.	LIFTING BODY ID	SAFE WORK LOAD	A	B	C	D	E	F	G
#	tons	lb	in.	in.	in.	in.	in.	in.	in.
PLA1TRC	1-1.3 T	2,000	1.87	2.95	2.80	2.20	2.17	1.30	6.48
PLA2TRC	1.5-2.5 T	4,000	2.52	3.86	3.35	2.68	2.76	1.65	8.09
PLA4TRC	3.0-5.0 T	8,000	2.76	4.65	3.45	3.46	3.39	2.24	9.33
PLA8TRC	6.0-10.0 T	16,000	3.74	10.24	4.76	4.41	4.61	2.87	13.72
PLA16TRC	12.0-20.0 T	32,000	4.65	7.32	5.91	5.98	6.10	4.33	17.36
PLA25TRC	25.0-32.0 T	50,000	6.89	10.59	7.44	7.68	8.43	6.02	22.99

SWL provides a safety factor of approximately 5 to 1.

Call us 718.361.2300 or Fax 718.937.5671  
 or email us at: [sales@cmftool.com](mailto:sales@cmftool.com)  
[www.cmftool.com](http://www.cmftool.com)

# Concrete Accessories

## Ring Clutches



CONSTRUCTION PRODUCTS

OCM Part No.	RING CLUTCH SYSTEM	CLUTCH ID ALLOWABLE LOAD RANGE	TOTAL LENGTH (L)	B	C	D	E	WEIGHT EACH
#	tons	#	in.	in.	in.	in.	in.	lb
OCMFLRC-2T	2T	2-2.5T	10-15/16	3-1/8	3-1/16	2-5/32	3-3/4	4.60
OCMFLRC-4T	4T	4-5T	12-31/32	4-1/16	3-15/16	2-15/32	4-19/32	9.25
OCMFLRC-8T	8T	8-10T	17-3/8	5-7/8	5-1/4	3-3/8	6-11/32	22.80

SWL provides a safety factor of approximately 5 to 1.

Call us 718.361.2300 or Fax 718.937.5671  
 or email us at: [sales@cmftool.com](mailto:sales@cmftool.com)  
[www.cmftool.com](http://www.cmftool.com)